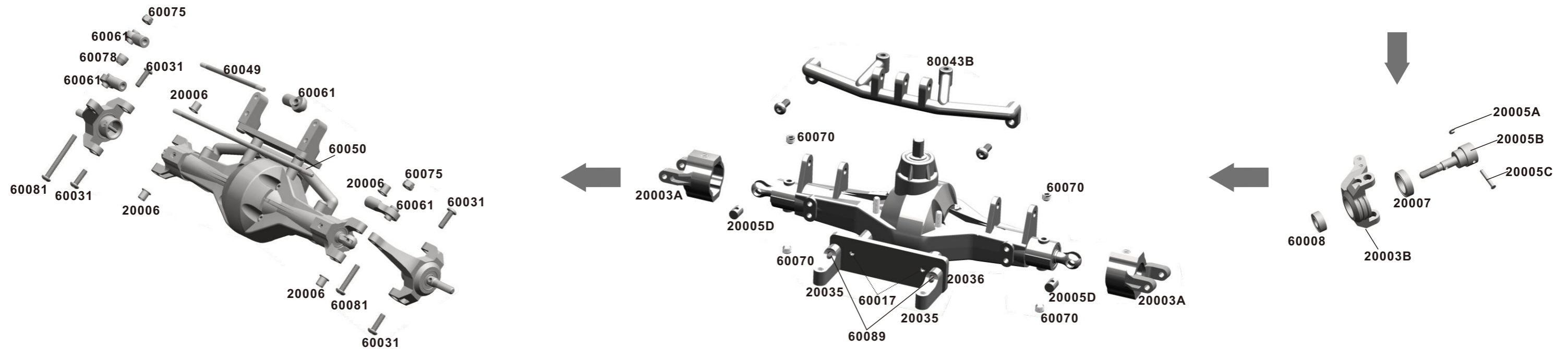
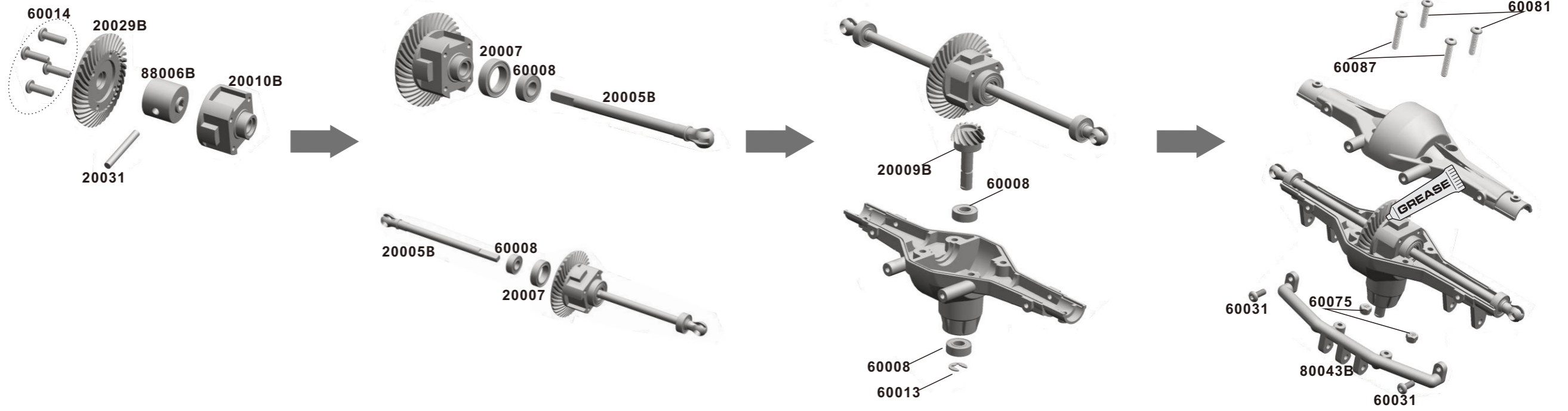


FR Axle Assem



60014 x4
M2x6mm

20007 x4
Bearing 10x15x4mm

60008 x6
Bearing 5x11x4mm

20029B x1
Helical Bevel Gear 38T

20009B x1
Helical Bevel Gear 13T

60070 x4
M4x4mm

60013 x2
E5.0 e-clip

20031 x1
Pin 2.9x22mm

60075 x4
M3 Nut

20005A x2
E1.5 e-clip

20005C x2
Pin 3x12mm

20005D x2
Pin 4x6mm

20006 x4
Bushing 3x4.4x4.9

60078 x1
Bushing 3x6x5

88006B x1
Gear Spacer

20010B x1
Gear Housing

20035 x2
Servo Mount

20036 x1
Servo Plate

20005B x2
Front wheel shaft

20003A x2
Steering Hub Carrier

20003B x2
Steering Hub

20005B x2
Steering Drive Shaft

60061 x4
Linkage Rod Head

60049 x1
Linkage Shaft 63mm

60050 x1
Linkage Shaft 116mm

80043B x1
Linkage Mount

60017 x2
Tm3x6mm

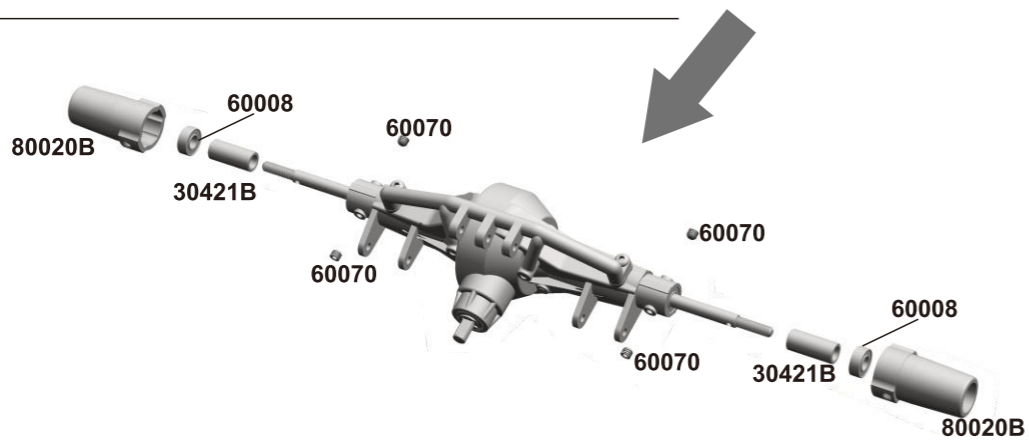
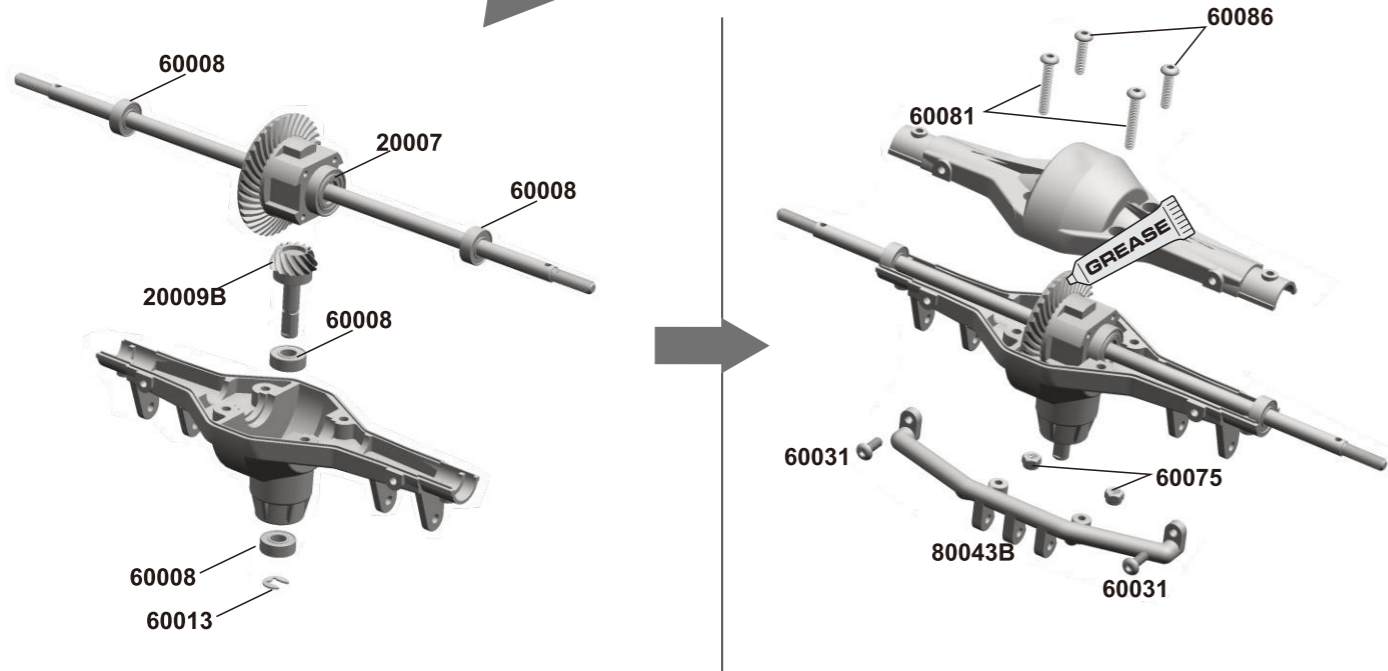
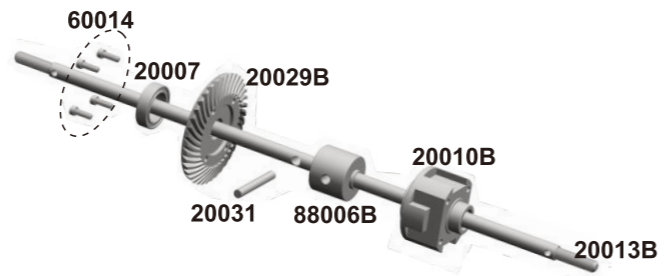
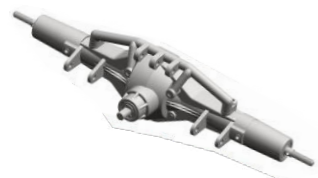
60089 x2
Fm3x6mm

60031 x6
Tm3x8mm

60081 x4
Tm3x18mm

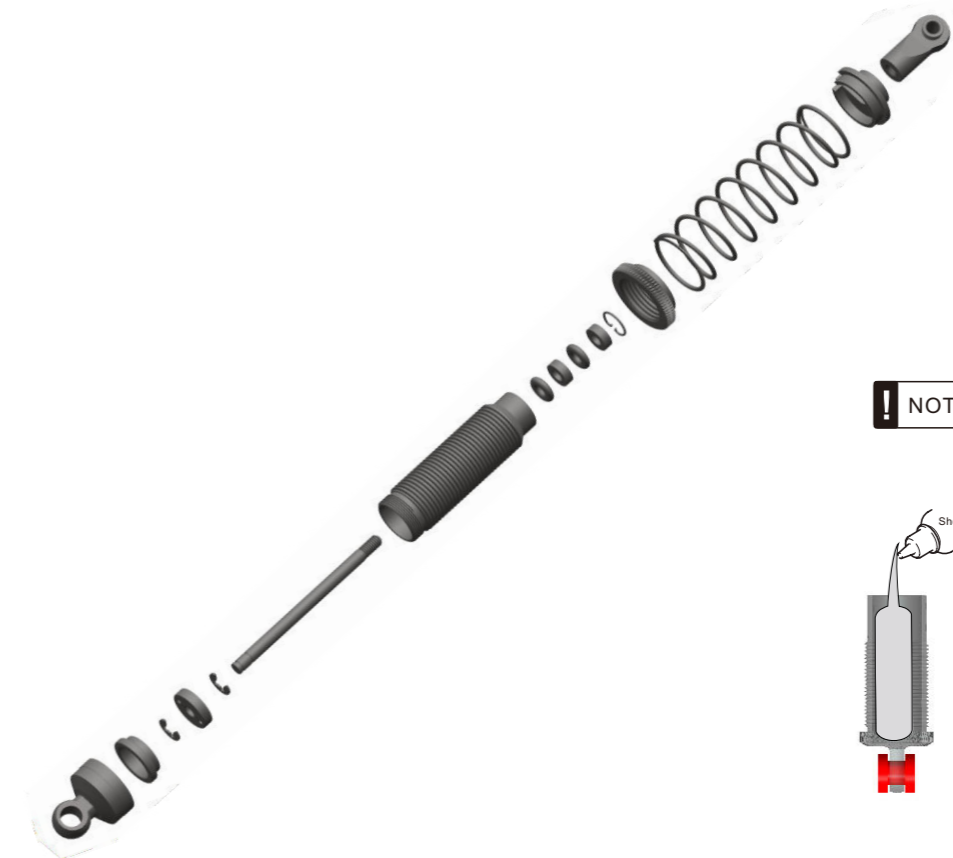
60087 x2
Tm3x20mm

Rear Axle Assem

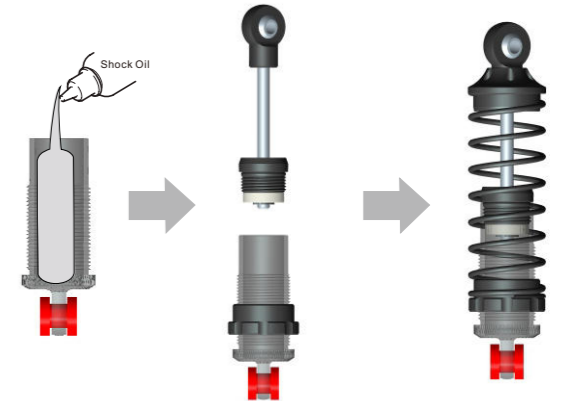


- | | | | | |
|--------------------------------------|--|---------------------------------|----------------------------------|------------------------------------|
| 60014
M2x6mm x4 | 20029B
Helical Bevel Gear 38T x1 | 20031
Pin 2.9x22mm x1 | 60075
M3 Nut x2 | 80020B
Rear Wheel Hub x2 |
| 20007
Bearing 10x15x4mm x2 | 20009B
Helical Bevel Gear 13T x1 | 60031
Pin 3x8mm x2 | 20010B
Gear Housing x1 | 80043B
Linkage Mount x1 |
| 60008
Bearing 5x11x4mm x6 | 60013
E5.0 e-clip x1 | 60086
Tm3x12mm x2 | 20013B
Stiff Shaft x1 | |
| | 60081
Tm3x18mm x2 | | | |

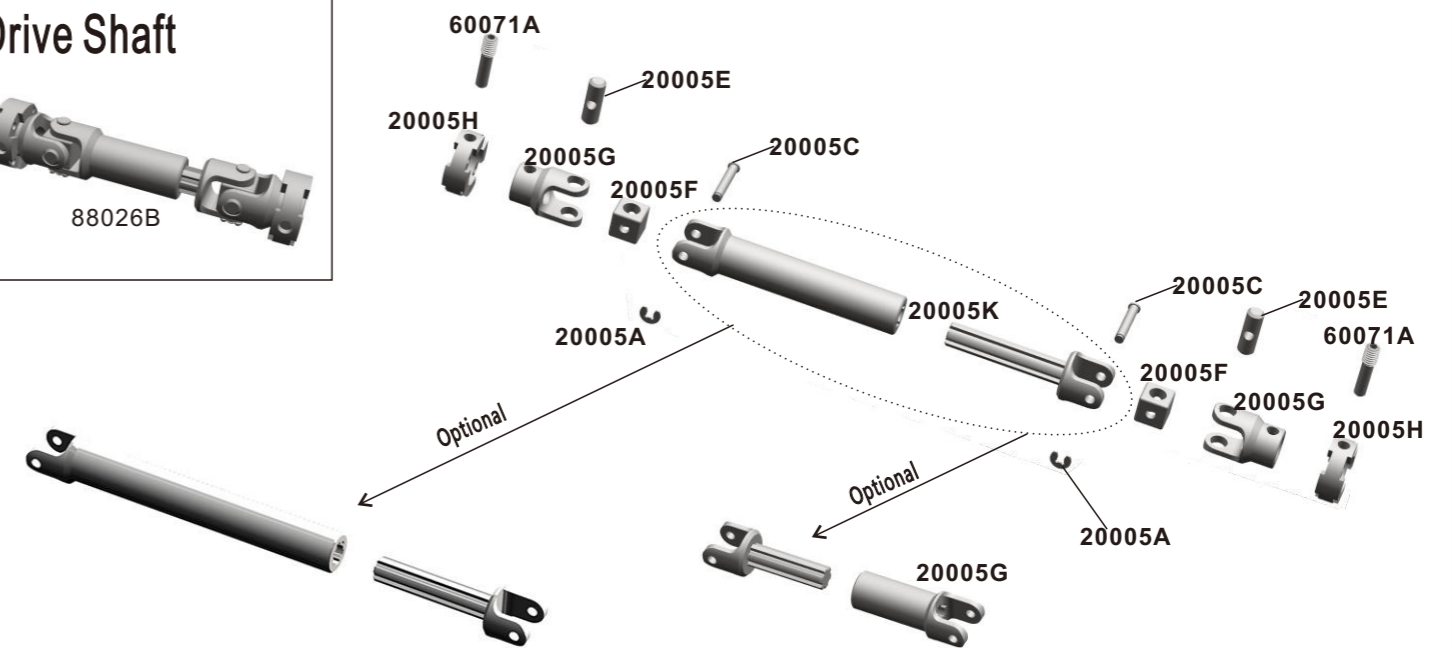
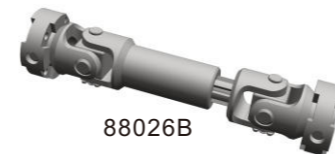
7.Shock (φ10*90mm)



NOTE: Shock oil was not pre-injected in factory

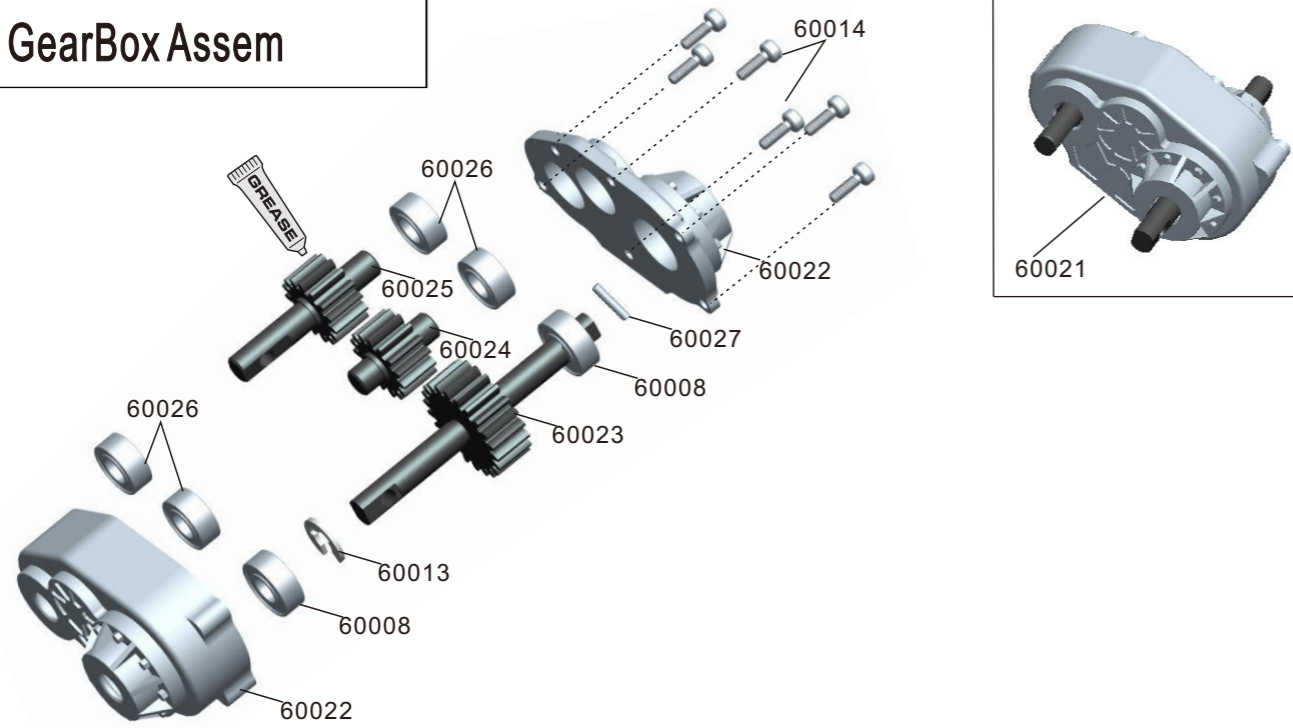


Universal Drive Shaft



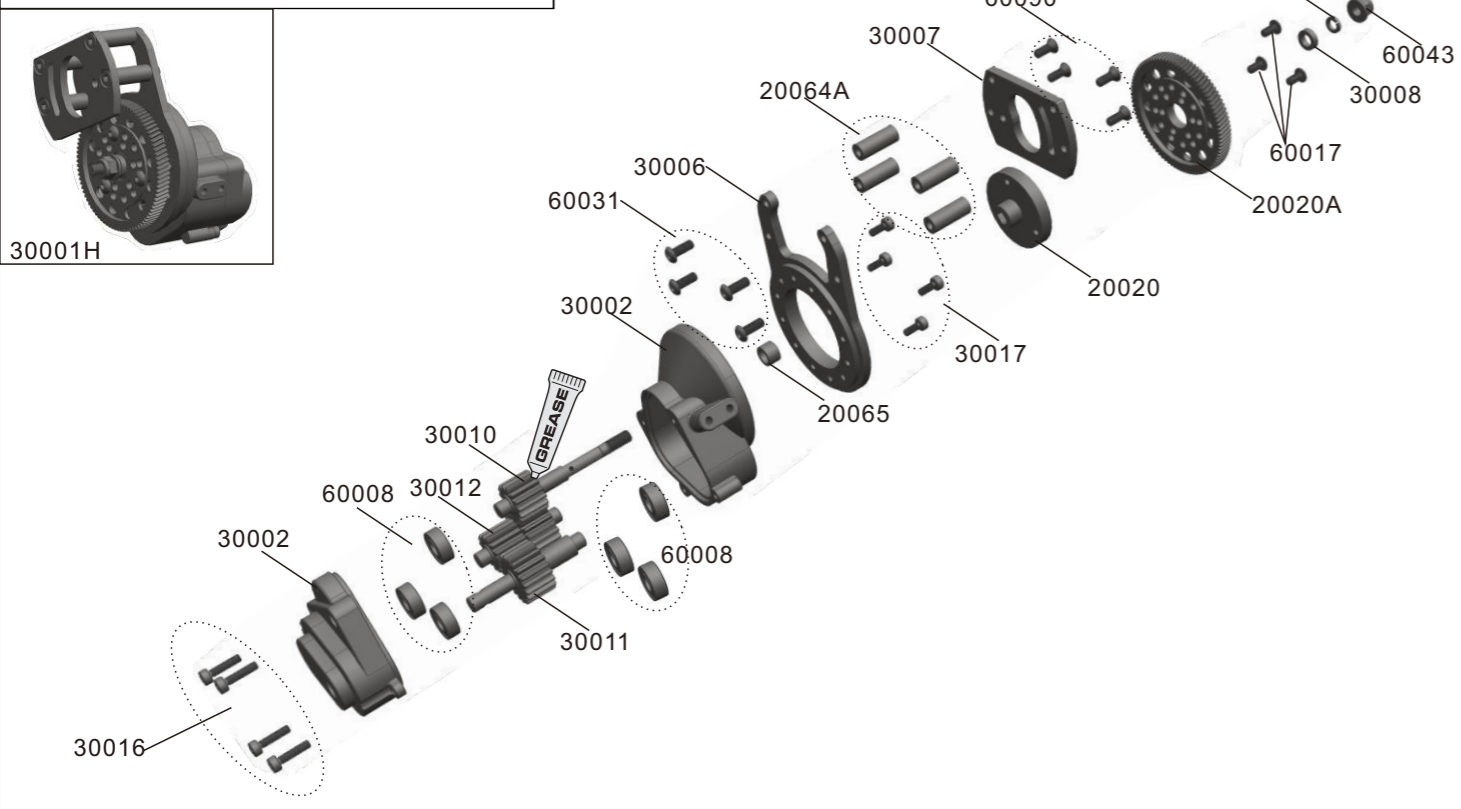
- | | | | |
|---------------------------------|---------------------------------|---|--|
| 20005A
E1.5 e-clip x2 | 20005E
Pin 3x10mm x2 | 20005G
Drive Shaft Carrier x2 | 60071A
Screw Shaft M3x12 x2 |
| 20005C
Pin 3x12mm x2 | 20005F
Joint Block x2 | 20005H
Drive Shaft Hub x2 | 20005K
Drive Shaft Body Set x2 |

3.Center GearBox Assem

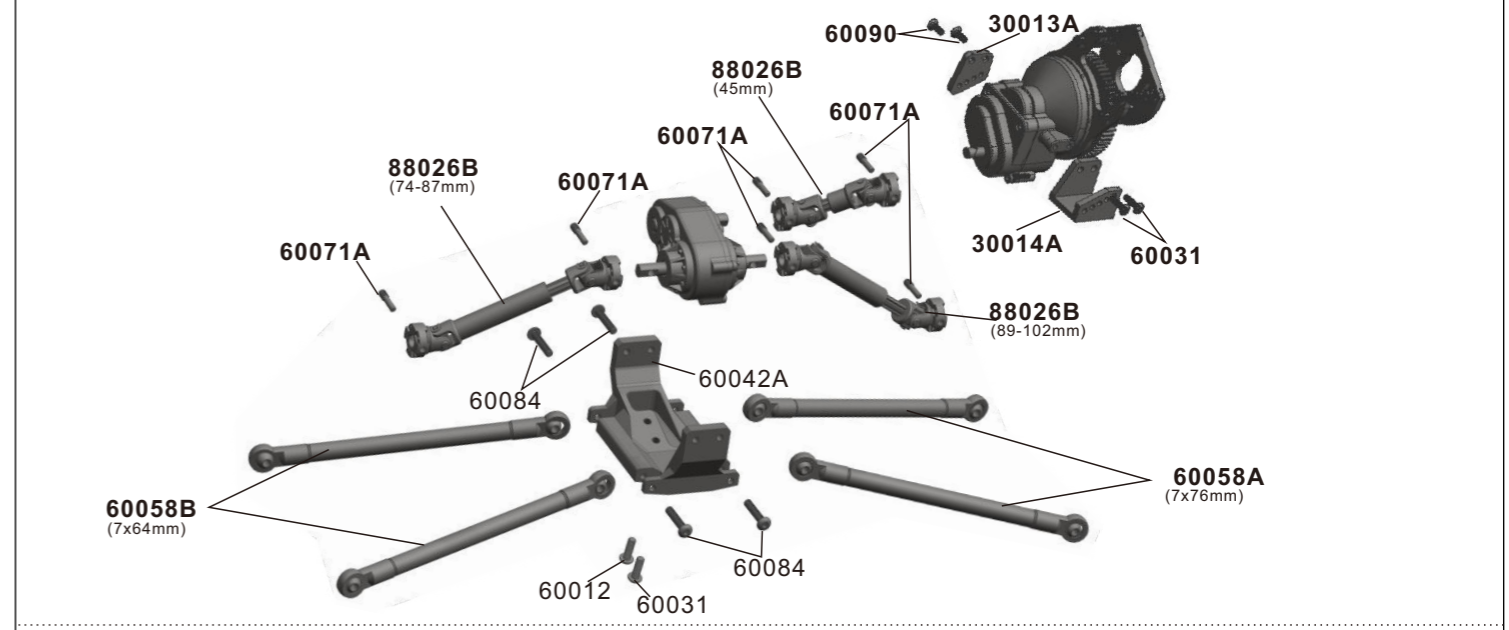


- | | | | | |
|-----------------|-----------------|-----------------|-----------------|-----------------|
| 60026 x4 | 60008 x2 | 60025 x1 | 60023 x1 | 60022 x1 |
| 60014 x6 | 60027 x1 | 60024 x1 | | |

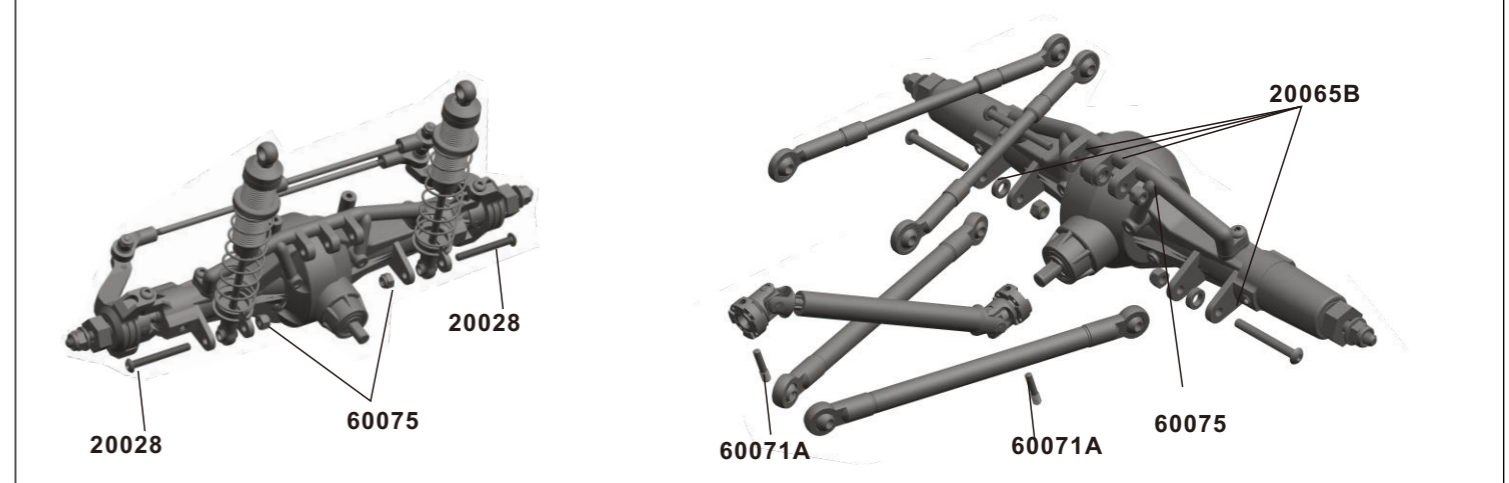
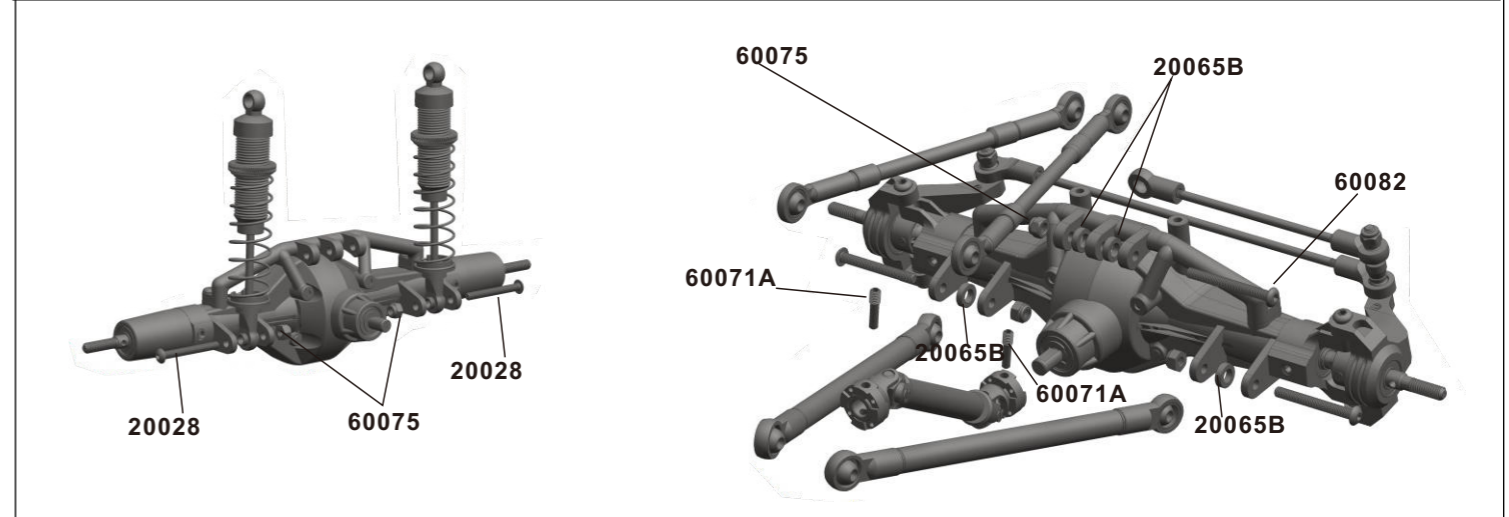
4.Motor Gearbox Assem



- | | | | | | |
|-----------------|-----------------|-----------------|------------------|-----------------|-----------------|
| 30016 x4 | 30017 x4 | 30009 x1 | 20064A x4 | 30010 x1 | 30020 x1 |
| 60008 x6 | 60031 x4 | 30008 x1 | 20020A x1 | 30006 x1 | |
| | 60017 x3 | 60043 x1 | 30012 x1 | 30007 x1 | |
| | 60090 x2 | 20065 x1 | 30011 x1 | 20020 x1 | |



- | | | | | |
|-----------------|------------------|------------------|------------------|------------------|
| 60031 x1 | 60071A x6 | 88026B x1 | 60058A x2 | 30013A x1 |
| 60012 x1 | 60090 x2 | 88026B x1 | 60058A x2 | 60042A x1 |
| 60084 x4 | 88026B x1 | | 30013A x1 | |



- | | | |
|-----------------|------------------|------------------|
| 60082 x2 | 60071A x4 | 60081 x4 |
| 20028 x4 | 60075 x6 | 20065B x8 |

